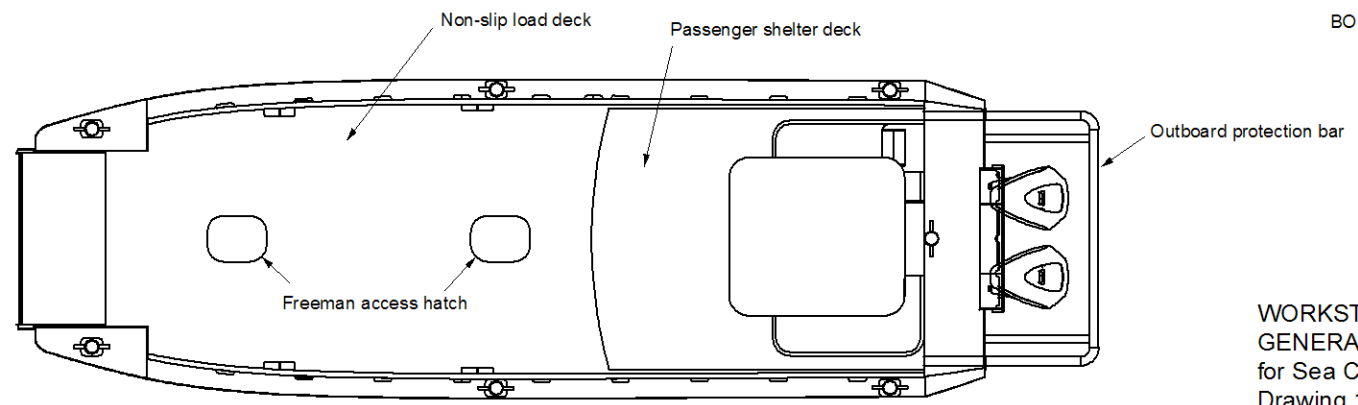
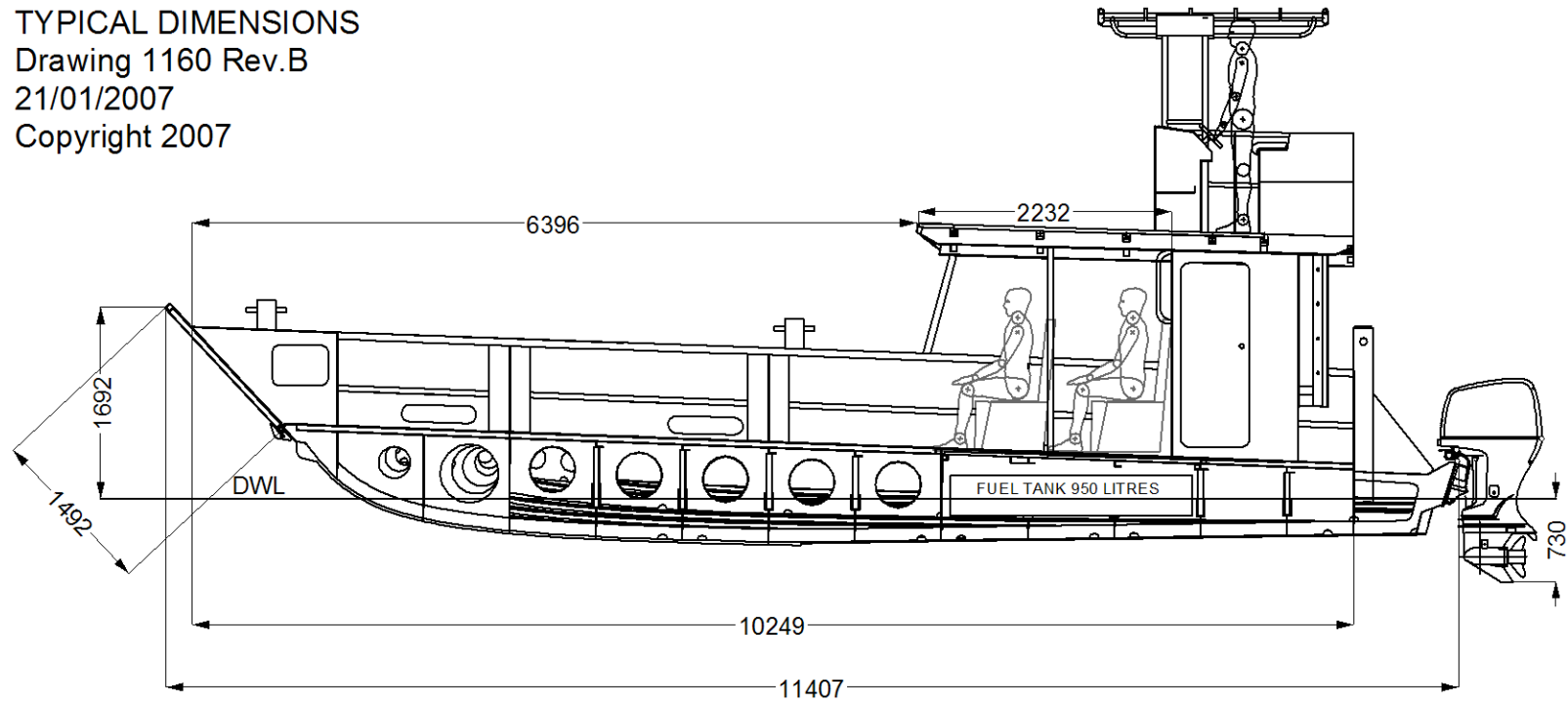


BODY PLAN



WORKSTAR 11M LC
 GENERAL ARRANGEMENT
 for Sea Crest Marine
 Drawing 1160 Rev.A
 21/01/2007
 Copyright 2007

WORKSTAR 11M LC
GENERAL ARRANGEMENT
TYPICAL DIMENSIONS
Drawing 1160 Rev.B
21/01/2007
Copyright 2007



All dimensions mm.

