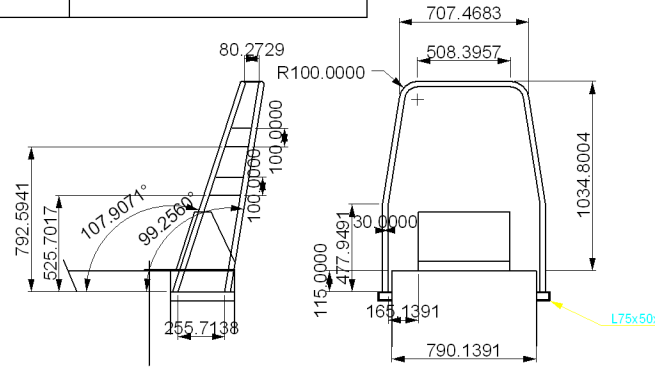
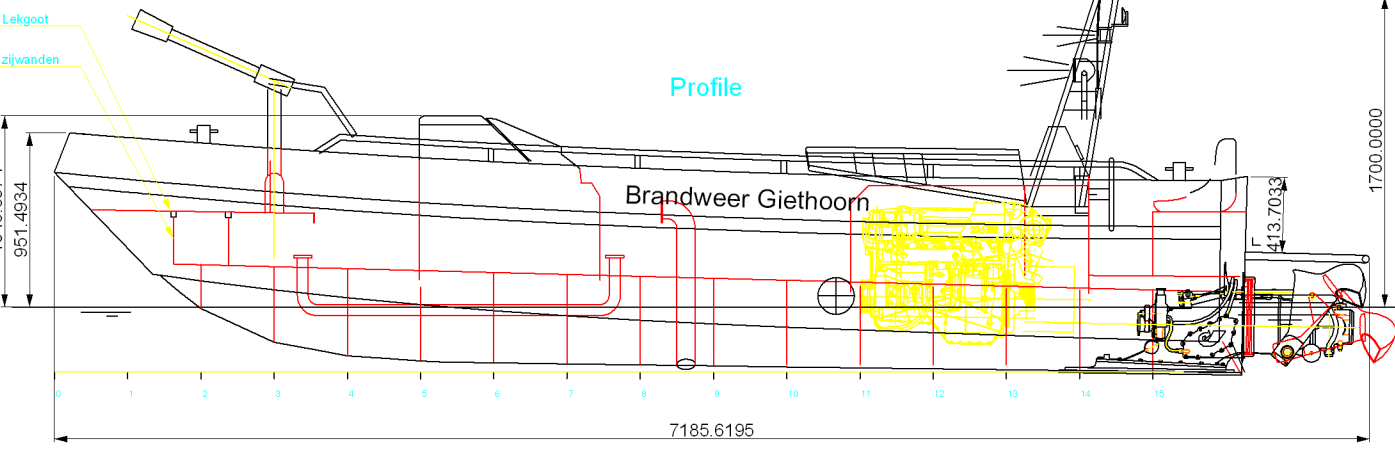


note:  
Lekgoot en zijwanden luik vooraf onder dek plaatsen  
i.v.m. bereikbaarheid lassen



uMain Principals	
Level	uMain
Role	uMain
Project	uMain
Client	uMain
Contract	uMain
Start	uMain
End	uMain
uMain	uMain

Frame spacing = 400 mm

 Van Vossen Overijssel	<b>Van Vossen Engineering</b> Giethoorn-Holland		
	TEL: (31) 521362125		FAX: (31) 521362126
change	Project no.:	Dwg. no.:	Date :
change	Title :		Scale :
change	Remarks :		Drawn :
change			Cad :
change	<small>All rights reserved. Neither the whole nor any part of this document may be reproduced, stored in a retrieval system, or transmitted in any form or by any means, without the prior written permission of Van Vossen Engineering.</small>		